



Power a Clean Future.



EU Product Brochure (EN)

## Domestic charging



NexBlue  
Edge 2



NexBlue  
Edge Max

	NexBlue Edge 2	NexBlue Edge Max
Warranty (Years)	5	5
Units per location	5	5
Nexus™ local/cloud load balancing	⊙	⊙
Nexus™ local/cloud phase balancing	⊙	⊙
Automatic phase selection based on load distribution*	⊙	⊙
Solar surplus charging with auto 3-1 phase switching*	⊙	⊙
Built-in Residual Current Protection (AC&DC)	⊙	⊙
NFC tap commission	⊙	⊙
Backplate RFID	⊙	⊙
Online pre-configuration	⊙	⊙
Backplate auto-updated via NexSync™	⊙	⊙
Ethernet	⊙	⊙
eSIM 4G CAT 1	⊙	⊙
RS-485	⊙	⊙
Load shedding	⊙	⊙
EcoPilot tariff charging	⊙	⊙
Fully ready for ISO 15118 / V2G / Plug & Charge	⊙	⊙
Local OCPP 1.6-J and 2.0.1	⊙	⊙
Proprietary APIs	⊙	⊙
Unified screw (T20)	⊙	⊙
AutoCharge	⊙	⊙
Display	○	⊙
MID-compliant	○	⊙

## NexBlue Edge 2 | NexBlue Edge Max

EV Chargers for Domestic Scenarios



**NexBlue Edge 2**



**NexBlue Edge Max**

### One for All, Ready for the Future

- Adaptive to 1.4-22 kW charging power
- All grid systems compatible: TN/TT/IT
- Always online with Ethernet / WiFi / 4G eSIM
- Fully ready for ISO 15118 / V2G / Plug & Charge
- Compatible with Local OCPP 1.6-J and 2.0.1
- Proprietary APIs for seamless integration

### Safe by Design, Smart by Nature

- Built to last: 5-year warranty
- CE certified by TÜV Rheinland
- 40+ smart sensors ensure protection and safety
- Dynamic local/cloud load and phase balancing\*
- Automatic phase selection based on load distribution\*
- Solar surplus charging with auto 3-1 phase switching\*

### Cost-Effective, Intuitive to Use

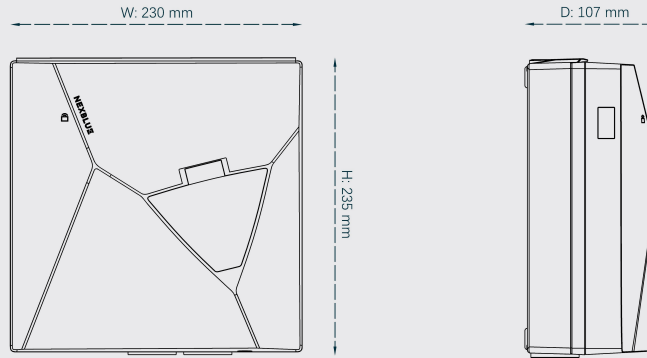
- Tariff charging at the lowest cost with EcoPilot mode
- Integrated with most mainstream platforms and software
- Easy-to-use myNexBlue App & Portal
- Track energy usage to improve consumption efficiency
- View real-time charging data on OLED display\*\*
- MID-compliant for company reimbursement at home\*\*

### Fast to Install, Simple to Support

- 4-minute installation per charger
- Instant NFC commissioning with just one tap
- Backplate design enables quick and cost-effective installation, maintenance, and scalability
- Fast replacements via RFID-enabled backplate
- Remote management via NexBlue Partner App & Portal

## NexBlue Edge 2

### Dimensions



### Technical Information

#### General

##### Dimension (mm)

H: 235 x W: 230 x D: 107

##### Wall Mounting (mm)

H: 206 x W: 130

##### Weight

2.3 kg

##### Operating Temperature

-30 °C to +50 °C

##### Storage Temperature

-40 °C to +70 °C

##### Working Humidity

5% to 95%

##### Working Altitude

< 2000 m

##### External Package

Carton

##### Warranty

5 years

#### Connectivity

##### Wi-Fi

2.4 GHz 802.11b/g/n

##### Built-in eSIM

4G LTE Cat 1

##### Ethernet

RJ45, 10M / 100M

##### Bluetooth

BLE 4.2

##### Local Radio Frequency

Nexus™ RF

##### OCPP

Local OCPP 1.6-J & 2.0.1

##### ISO 15118

Ready for V2G / PnC

##### Other Interfaces

1 or 3 x CT clamps

Load shedding

RS-485

#### Charging

##### Charging Power

1.4 to 22 kW

##### Charge Connector

Type 2 Socket (IEC 62196-2)

Electronic lock with permanent lock option

##### Rated Current

6 A 1 phase to 32 A 3 phase

##### Maximum Output Current

32 A

##### Voltage

3 \* 400 V AC / 230 V AC (±10%)

##### Installation Network

TN, IT or TT (auto detect)

##### Mains Frequency

50 Hz

##### Built-in Energy Meter

±1%

##### Load management

Up to 5 units per location

#### User Interface

##### Enclosure

Plastics

##### LED Indicator

Red / Green / Blue

White / Orange

##### RFID Reader

ISO / IEC 14443 Type A

MIFARE Classic®

##### Start Mode

myNexBlue App / RFID NFC /

Plug & Play / AutoCharge

NexBlue User Portal

#### Protection

##### Built-in Residual Current Protection

RDC-DD (6 mA DC) according to IEC

62955 + 30 mA AC according to IEC

60947-2, annex M

##### Ingress Protection

IP54

##### Impact Protection

IK10

##### UV Resistant

##### Insulation Class

I

##### Overvoltage Category

III

##### EMC Level

CLASS B

##### Other Protection

Overload protection

Over/under voltage protection

Temperature protection

Relay welding protection

Ground fault protection

PE presence detection

CP diode presence detection

Humidity monitoring

#### Regulations

##### EU Type Examination Certificate

(Module B) Confirming Compliant with

2014/53/EU (RED) | 2014/35/EU (LVD)

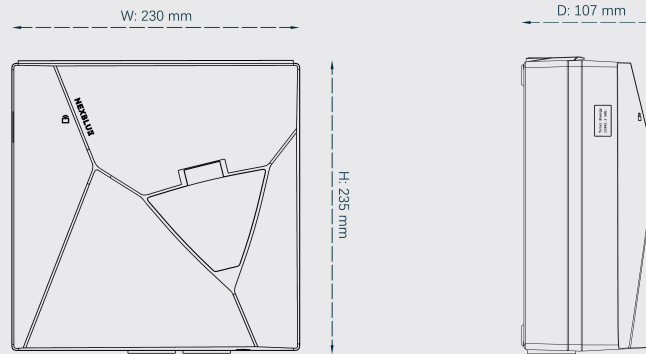
2014/30/EU (EMC) | 2011/65/EU (RoHS)

##### REACH Regulation (EC) No 1907/2006

##### See DoC for details at

<https://nexblue.com/pages/doc-declaration-of-conformity>

## NexBlue Edge Max Dimensions



## Technical Information

### General

#### Dimension (mm)

H: 235 x W: 230 x D: 107

#### Wall Mounting (mm)

H: 206 x W: 130

#### Weight

2.3 kg

#### Operating Temperature

-30 °C to +50 °C

#### Storage Temperature

-40 °C to +70 °C

#### Working Humidity

5% to 95%

#### Working Altitude

< 2000 m

#### External Package

Carton

#### Warranty

5 years

### Connectivity

#### Wi-Fi

2.4 GHz 802.11b/g/n

#### Built-in eSIM

4G LTE Cat 1

#### Ethernet

RJ45, 10M / 100M

#### Bluetooth

BLE 4.2

#### Local Radio Frequency

Nexus™ RF

#### OCPP

Local OCPP 1.6-J & 2.0.1

#### ISO 15118

Ready for V2G / PnC

#### Other Interfaces

1 or 3 x CT clamps

Load shedding

RS-485

### Charging

#### Charging Power

1.4 to 22 kW

#### Charge Connector

Type 2 Socket (IEC 62196-2)

Electronic lock with permanent lock option

#### Rated Current

6 A 1 phase to 32 A 3 phase

#### Maximum Output Current

32 A

#### Voltage

3 \* 400 V AC / 230 V AC (±10%)

#### Installation Network

TN, IT or TT (auto detect)

#### Mains Frequency

50 Hz

#### Built-in Energy Meter

MID Class B ±1% (EN 50470-3: 2022)

#### Load management

Up to 5 units per location

### User Interface

#### Enclosure

Plastics

#### LED Indicator

Red / Green / Blue

White / Orange

#### RFID Reader

ISO / IEC 14443 Type A

MIFARE Classic®

#### Start Mode

myNexBlue App / RFID NFC /

Plug & Play / AutoCharge

NexBlue User Portal

#### Display

OLED screen

### Protection

#### Built-in Residual Current Protection

RDC-DD (6 mA DC) according to IEC

62955 + 30 mA AC according to IEC

60947-2, annex M

#### Ingress Protection

IP54

#### Impact Protection

IK10

#### UV Resistant

#### Insulation Class

I

#### Overvoltage Category

III

#### EMC Level

CLASS B

#### Other Protection

Overload protection

Over/under voltage protection

Temperature protection

Relay welding protection

Ground fault protection

PE presence detection

CP diode presence detection

Humidity monitoring

### Regulations

#### EU Type Examination Certificate

(Module B) Confirming Compliant with

2014/53/EU (RED) | 2014/35/EU (LVD)

2014/30/EU (EMC) | 2011/65/EU (RoHS)

#### EU Type Examination Certificate (Module B & Module D) Confirming Compliant with

2014/32/EU (MID)

#### REACH Regulation (EC) No 1907/2006

#### See DoC for details at

<https://nexblue.com/pages/doc-declaration-of-conformity>

## Commercial charging



NexBlue  
Delta



NexBlue  
Delta Max

	NexBlue Delta	NexBlue Delta Max
Warranty (Years)	5	5
Units per location	Unlimited	Unlimited
Nexus™ local/cloud load balancing	<input checked="" type="radio"/>	<input checked="" type="radio"/>
Nexus™ local/cloud phase balancing	<input checked="" type="radio"/>	<input checked="" type="radio"/>
Local multi-level load management	<input checked="" type="radio"/>	<input checked="" type="radio"/>
Built-in Residual Current Protection (AC&DC)	<input checked="" type="radio"/>	<input checked="" type="radio"/>
NFC tap commission	<input checked="" type="radio"/>	<input checked="" type="radio"/>
Backplate RFID	<input checked="" type="radio"/>	<input checked="" type="radio"/>
Online pre-configuration	<input checked="" type="radio"/>	<input checked="" type="radio"/>
Backplate auto-updated via NexSync™	<input checked="" type="radio"/>	<input checked="" type="radio"/>
Ethernet	<input checked="" type="radio"/>	<input checked="" type="radio"/>
eSIM 4G CAT 1	<input checked="" type="radio"/>	<input checked="" type="radio"/>
RS-485	<input checked="" type="radio"/>	<input checked="" type="radio"/>
Load shedding	<input checked="" type="radio"/>	<input checked="" type="radio"/>
EcoPilot tariff charging	<input checked="" type="radio"/>	<input checked="" type="radio"/>
Fully ready for ISO 15118 / V2G / Plug & Charge	<input checked="" type="radio"/>	<input checked="" type="radio"/>
Local OCPP 1.6-J and 2.0.1	<input checked="" type="radio"/>	<input checked="" type="radio"/>
Proprietary APIs	<input checked="" type="radio"/>	<input checked="" type="radio"/>
Unified screw (T20)	<input checked="" type="radio"/>	<input checked="" type="radio"/>
AutoCharge	<input checked="" type="radio"/>	<input checked="" type="radio"/>
Display	<input type="radio"/>	<input checked="" type="radio"/>
MID-compliant	<input type="radio"/>	<input checked="" type="radio"/>

## NexBlue Delta | NexBlue Delta Max

EV Chargers for Commercial Scenarios



**NexBlue Delta**



**NexBlue Delta Max**

### One for All, Ready for the Future

- Adaptive to 1.4-22 kW charging power
- All grid systems compatible: TN/TT/IT
- Always online with Ethernet / WiFi / 4G eSIM
- Fully ready for ISO 15118 / V2G / Plug & Charge
- Compatible with Local OCPP 1.6-J and 2.0.1
- Proprietary APIs for seamless integration

### Safe by Design, Smart by Nature

- Built to last: 5-year warranty
- CE certified by TÜV Rheinland
- 40+ smart sensors ensure protection and safety
- Dynamic local/cloud load and phase balancing ensures safe, efficient, and fair charging at any scale\*
- Smart multi-level load management prevents overloading in complex infrastructure\*

### Effortless to Manage, Simple to Support

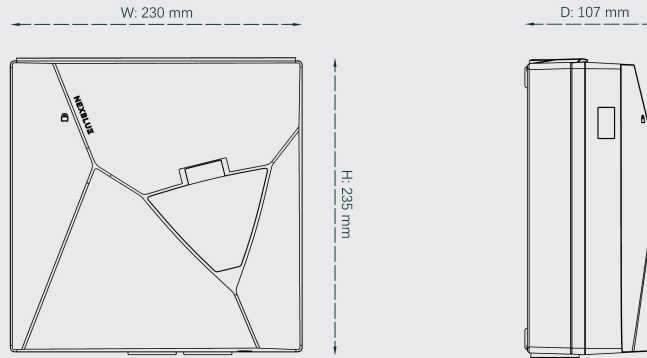
- Integrated with most mainstream platforms and software
- Remote management via NexBlue Partner App & Portal
- Rich data insights for seamless cloud-based monitoring
- Fast replacements via RFID-enabled backplate
- View real-time charging data on OLED display\*\*
- MID-compliant for accurate, transparent, and regulation-ready billing\*\*

### Fast to Install, Easy to Scale

- 4-minute installation per charger
- Flexible configuration: NFC tap, RFID backplate, Bluetooth, or online pre-setup
- Backplate design enables quick and cost-effective installation, replacement, and unlimited scalability
- NexSync™ auto-transfers updated settings to future-installed chargers locally

## NexBlue Delta

### Dimensions



## Technical Information

### General

#### Dimension (mm)

H: 235 x W: 230 x D: 107

#### Wall Mounting (mm)

H: 206 x W: 130

#### Weight

2.3 kg

#### Operating Temperature

-30 °C to +50 °C

#### Storage Temperature

-40 °C to +70 °C

#### Working Humidity

5% to 95%

#### Working Altitude

< 2000 m

#### External Package

Carton

#### Warranty

5 years

### Connectivity

#### Wi-Fi

2.4 GHz 802.11b/g/n

#### Built-in eSIM

4G LTE Cat 1

#### Ethernet

RJ45, 10M / 100M

#### Bluetooth

BLE 4.2

#### Local Radio Frequency

Nexus™ RF

#### OCPP

Local OCPP 1.6-J & 2.0.1

#### ISO 15118

Ready for V2G / PnC

#### Other Interfaces

1 or 3 x CT clamps

Load shedding

RS-485

### Charging

#### Charging Power

1.4 to 22 kW

#### Charge Connector

Type 2 Socket (IEC 62196-2)

Electronic lock with permanent lock option

#### Rated Current

6 A 1 phase to 32 A 3 phase

#### Maximum Output Current

32 A

#### Voltage

3 \* 400 V AC / 230 V AC (±10%)

#### Installation Network

TN, IT or TT (auto detect)

#### Mains Frequency

50 Hz

#### Built-in Energy Meter

±1%

#### Load management

Unlimited

### User Interface

#### Enclosure

Plastics

#### LED Indicator

Red / Green / Blue

White / Orange

#### RFID Reader

ISO / IEC 14443 Type A

MIFARE Classic®

#### Start Mode

myNexBlue App / RFID NFC /

Plug & Play / AutoCharge

NexBlue User Portal

### Protection

#### Built-in Residual Current Protection

RDC-DD (6 mA DC) according to IEC

62955 + 30 mA AC according to IEC

60947-2, annex M

#### Ingress Protection

IP54

#### Impact Protection

IK10

#### UV Resistant

#### Insulation Class

I

#### Overvoltage Category

III

#### EMC Level

CLASS B

#### Other Protection

Overload protection

Over/under voltage protection

Temperature protection

Relay welding protection

Ground fault protection

PE presence detection

CP diode presence detection

Humidity monitoring

### Regulations

#### EU Type Examination Certificate

(Module B) Confirming Compliant with

2014/53/EU (RED) | 2014/35/EU (LVD)

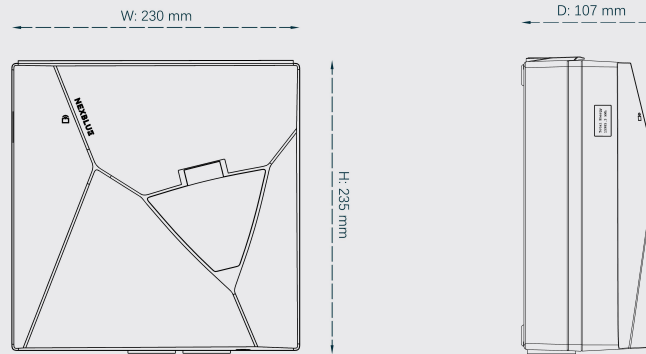
2014/30/EU (EMC) | 2011/65/EU (RoHS)

#### REACH Regulation (EC) No 1907/2006

#### See DoC for details at

<https://nexblue.com/pages/doc-declaration-of-conformity>

## NexBlue Delta Max Dimensions



## Technical Information

### General

#### Dimension (mm)

H: 235 x W: 230 x D: 107

#### Wall Mounting (mm)

H: 206 x W: 130

#### Weight

2.3 kg

#### Operating Temperature

-30 °C to +50 °C

#### Storage Temperature

-40 °C to +70 °C

#### Working Humidity

5% to 95%

#### Working Altitude

< 2000 m

#### External Package

Carton

#### Warranty

5 years

### Connectivity

#### Wi-Fi

2.4 GHz 802.11b/g/n

#### Built-in eSIM

4G LTE Cat 1

#### Ethernet

RJ45, 10M / 100M

#### Bluetooth

BLE 4.2

#### Local Radio Frequency

Nexus™ RF

#### OCPP

Local OCPP 1.6-J & 2.0.1

#### ISO 15118

Ready for V2G / PnC

#### Other Interfaces

1 or 3 x CT clamps

Load shedding

RS-485

### Charging

#### Charging Power

1.4 to 22 kW

#### Charge Connector

Type 2 Socket (IEC 62196-2)

Electronic lock with permanent lock option

#### Rated Current

6 A 1 phase to 32 A 3 phase

#### Maximum Output Current

32 A

#### Voltage

3 \* 400 V AC / 230 V AC (±10%)

#### Installation Network

TN, IT or TT (auto detect)

#### Mains Frequency

50 Hz

#### Built-in Energy Meter

MID Class B ±1% (EN 50470-3: 2022)

#### Load management

Unlimited

### User Interface

#### Enclosure

Plastics

#### LED Indicator

Red / Green / Blue

White / Orange

#### RFID Reader

ISO / IEC 14443 Type A

MIFARE Classic®

#### Start Mode

myNexBlue App / RFID NFC /

Plug & Play / AutoCharge

NexBlue User Portal

#### Display

OLED screen

### Protection

#### Built-in Residual Current Protection

RDC-DD (6 mA DC) according to IEC

62955 + 30 mA AC according to IEC

60947-2, annex M

#### Ingress Protection

IP54

#### Impact Protection

IK10

#### UV Resistant

#### Insulation Class

I

#### Overvoltage Category

III

#### EMC Level

CLASS B

#### Other Protection

Overload protection

Over/under voltage protection

Temperature protection

Relay welding protection

Ground fault protection

PE presence detection

CP diode presence detection

Humidity monitoring

### Regulations

#### EU Type Examination Certificate

(Module B) Confirming Compliant with

2014/53/EU (RED) | 2014/35/EU (LVD)

2014/30/EU (EMC) | 2011/65/EU (RoHS)

#### EU Type Examination Certificate (Module B & Module D) Confirming Compliant with

2014/32/EU (MID)

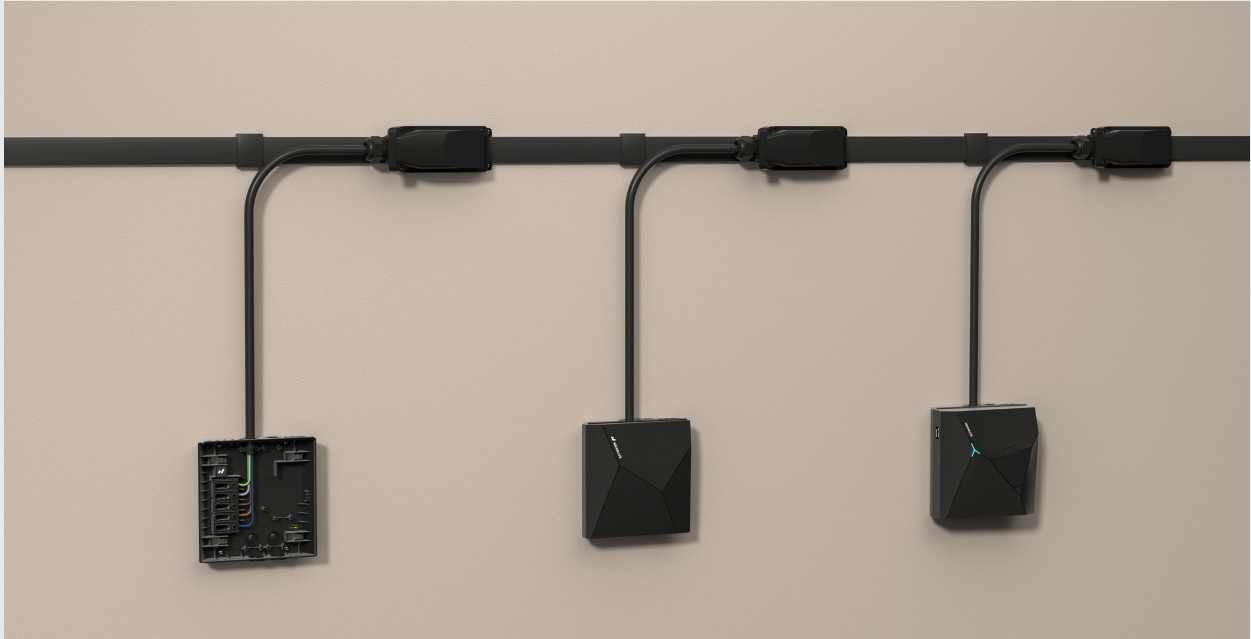
#### REACH Regulation (EC) No 1907/2006

#### See DoC for details at

<https://nexblue.com/pages/doc-declaration-of-conformity>

## NexBlue Ready

Pre-installed Docking System for NexBlue chargers



### Quick to Install, Prepared for Tomorrow

- Pre-installed backplate with blind cover
- Future-ready: easily scalable with NexCore charger upgrades
- Backplate RFID stores configuration data
- NexSync™ auto-transfers updated settings to future-installed chargers locally

### Affordable Investment, Long-Term Gain

- Low-cost preparation of charging infrastructure
- One-time electrical installation, no rehiring needed\*
- Secure parking spaces now for future revenue
- Get fund incentives with pre-installed backplates

## Technical Information

### General

#### Dimension (mm)

H: 235 x W: 230 x D: 73

#### Wall Mounting (mm)

H: 206 x W: 130

#### Color

Black

#### Installation kit

Included

### Protection

#### Ingress Protection

IP44 (IP22 without blind cover)

#### Impact Protection

IK10

#### Upstream Circuit Breaker

Edge 2 / Edge Max: MAX 40A

Delta / Delta Max: MAX 63A

Instantaneous trip, maximum  
75 000 A<sup>2</sup>s

#### UV Resistant

### Charging

#### Charging Power

1.4 to 22 kW

#### Rated Current

6 A 1 phase to 32 A 3 phase

#### Voltage

3 \* 400 V AC / 230 V AC (±10%)

#### Mains Frequency

50 Hz

#### Installation Network

TN, IT or TT (auto detect)

### Regulations

#### Complies with

2014/35/EU (LVD) | 2011/65/EU (RoHS)

#### See DoC for details at

<https://nexblue.com/pages/doc-declaration-of-conformity>

### Installation

#### Terminal torque

8 Nm

#### Cable strip length

12 mm

#### Wire cross-section

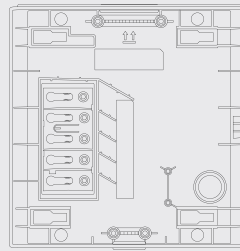
2.5 to 16 mm<sup>2</sup> (single conductors) /  
2.5 to 10 mm<sup>2</sup> (parallel conductors)\*

Ensure the PE conductor has an equal or larger cross-section than the phase wire.

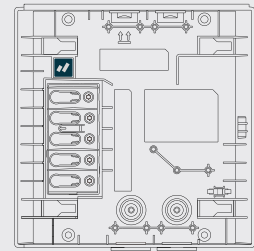
Use the largest feasible wire size to future-proof the installation.

\* Subject to local regulations

## Backplate



Backplate - Legacy\*



Backplate - New\*\*

Cable entry: top / bottom / rear	<input checked="" type="radio"/>	<input checked="" type="radio"/>
Spacious interior for extra cable routing	<input checked="" type="radio"/>	<input checked="" type="radio"/>
Optimized thermal management	<input checked="" type="radio"/>	<input checked="" type="radio"/>
Unified screw (T20)	<input checked="" type="radio"/>	<input checked="" type="radio"/>
Top entry compatible with M25 cable glands	<input type="radio"/>	<input checked="" type="radio"/>
Reinforced design to minimize bending	<input type="radio"/>	<input checked="" type="radio"/>
Six individual cable entries	<input type="radio"/>	<input checked="" type="radio"/>
Middle rear entry – pedestal friendly	<input type="radio"/>	<input checked="" type="radio"/>
Horizontal cable guide into terminal block	<input type="radio"/>	<input checked="" type="radio"/>
Flat terminal for tighter wiring connections	<input type="radio"/>	<input checked="" type="radio"/>
Stronger seal plug prevents unintentional piercing	<input type="radio"/>	<input checked="" type="radio"/>
Adjustable cable clamps for various wire sizes	<input type="radio"/>	<input checked="" type="radio"/>
Backplate RFID stores configuration data	<input type="radio"/>	<input checked="" type="radio"/>
Integrated spirit level	<input type="radio"/>	<input checked="" type="radio"/>
IP22 certified	<input type="radio"/>	<input checked="" type="radio"/>
IEC EN 60309-1 compliant	<input type="radio"/>	<input checked="" type="radio"/>

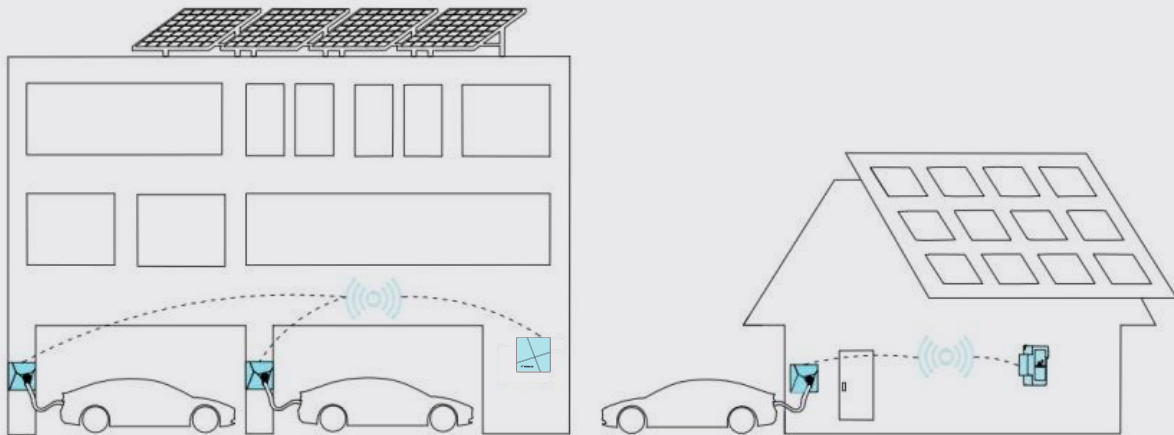
\* NexBlue Edge

\*\* NexBlue Edge 2 | NexBlue Edge Max | NexBlue Delta | NexBlue Delta Max

To ensure clear distinction, the new backplate is not compatible with the legacy version.

## NexBlue Zen (Current Sensor)

Load Balancer for All Scenarios



### Hassle-free smart charging

Uninterrupted charging with Dynamic Load Management even without network

High penetrability through walls with Nexus™ RF (Local Radio Frequency)

Dynamic multi-level load management—locally or in the cloud

### Effortless installation

No disassembly required

No additional App required

No external power adaptor required

2-minute installation with DIN rail design

### Optimizing energy use

Grasp real-time data from CT clamps, transmit to Cloud and chargers

Solar Surplus Mode with auto 3-1 phase switching to access free, eco-friendly charging

Save cost by setting up household electricity consumption limits during peak hours

Automatic phase selection based on load distribution

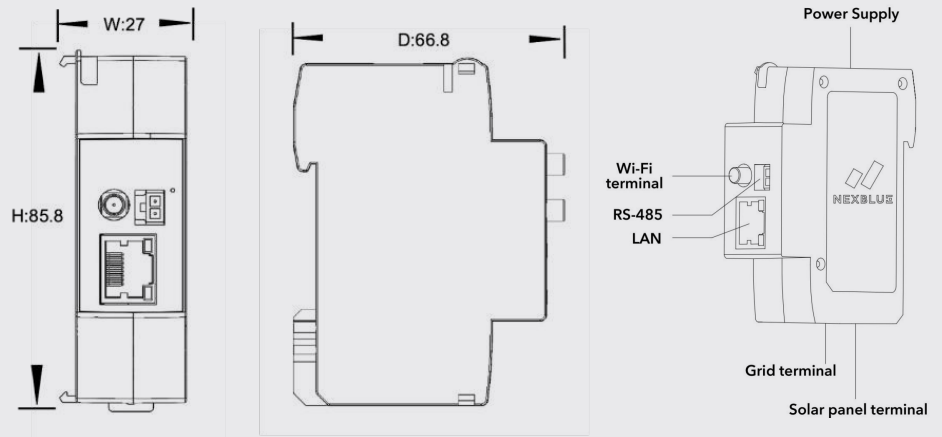
### Compact and highly compatible

Nexus™ RF / Wi-Fi / Bluetooth / Ethernet

Enhanced connectivity with external & extendable antenna

With optional Rogowski Coil, current measurement up to 1500A

## Dimensions



## Technical Information

### General

#### Model

CS3ANA

#### Dimension (mm)

H:85.8 x W: 27 x D: 66.8

#### Weight

95 g

#### Over-voltage category

OVC II

#### Insulation class

II

#### Voltage measurement range

85-264 V AC

#### Rated power

3 W

#### Current measurement range

CT clamps (included):  $\pm 0 - 120$  A  
(MAX cross-section: 25 mm<sup>2</sup>)

Rogowski coil (optional):  $\pm 0 - 1500$  A

#### Power supply

85 - 264 V AC, 50Hz

#### Installation system

TT, IT or TN

single to three phase

#### Terminals

Grid terminal / Solar panel terminal /  
RS-485 / LAN / Wi-Fi terminal /  
Power supply terminal

#### Mounting

DIN rail

#### Warranty

3 years

### Operating conditions

#### Operating temperature

-25°C to +55°C

#### Ingress protection

IP30

#### Relative humidity

0 - 90%

#### Altitude

0-2000 m

#### Indoor use

Yes

### Connectivity

#### Wi-Fi

2.4 GHz 802.11b/g/n

#### Bluetooth

BLE 4.2

#### Nexus™ RF

#### RS-485

TIA/EIA-485A

#### Ethernet

ISO/IEEE 802.3u

### Regulations

#### EU Type Examination Certificate (Module B) Confirming Compliant with

Radio Equipment Directive 2014/53/EU

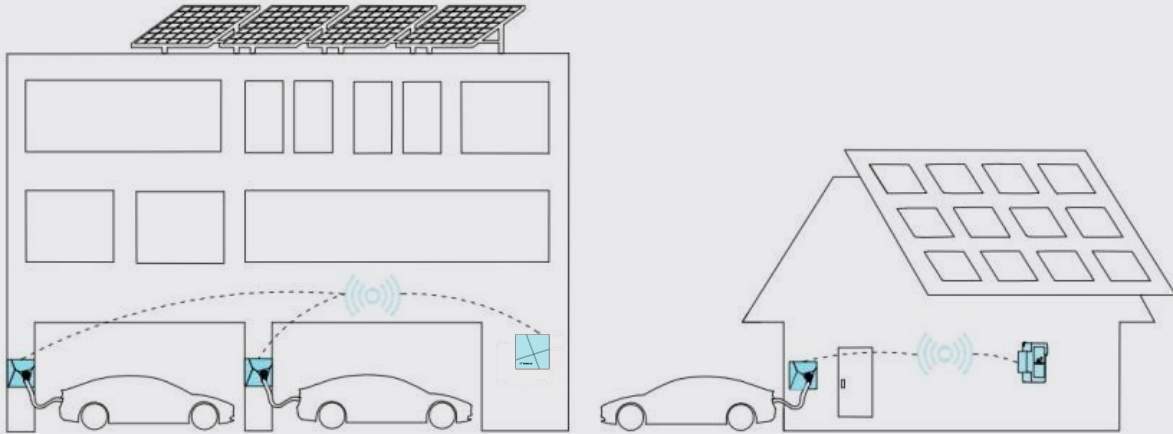
Article 3.1.a: Health and Safety

Article 3.1.b: EMC

Article 3.2: Effectively uses and  
efficient use of radio spectrum

## NexBlue Zen (Smart meter)

### Load Balancer for Smart Meter Scenarios



#### Optimizing energy use

- Efficiently monitor and optimize energy use via WiFi
- Solar Surplus Mode with auto 3-1 phase switching to access free, eco-friendly charging
- Save cost by setting up household electricity consumption limits during peak hours

#### Hassle-free smart charging

- Uninterrupted charging with Dynamic Load Management even without network
- High penetrability through walls with Nexus™ RF (Local Radio Frequency)
- Automatic phase selection based on load distribution

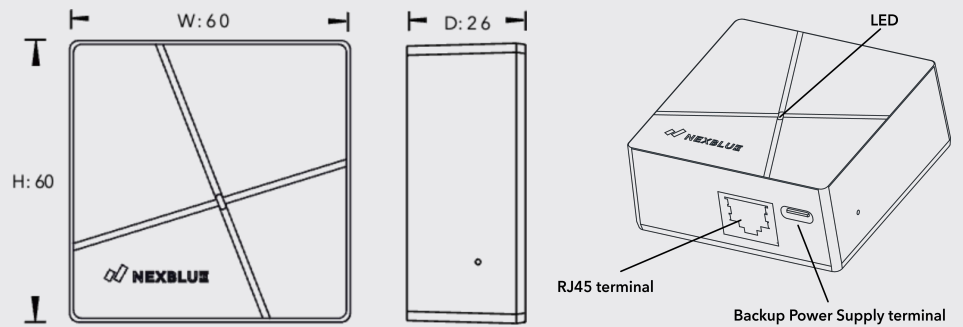
#### Effortless installation

- No disassembly required
- No additional App required
- No extra power supply required
- Plug & Play connection to the smart meter
- Easily snap it to the fuse cabinet with the magnetic backing

#### Compact and highly compatible

- Supporting ALL smart meters with HAN/P1 port and Kamstrup OMNIPower® meters (no extra module needed)
- No need to occupy the DIN rail in the crowded fuse cabinet
- Nexus™ RF / Wi-Fi / Bluetooth
- Future-proof for communication with energy storage and PV panels

## Dimensions



## Technical Information

### General

#### Model

SMBNA

#### Dimension (mm)

H: 60 x W: 60 x D: 26

#### Weight

57 g

#### Color

Black

#### Rated power

0.1-1.7W

#### Power supply

3.8-38 Vdc

#### Terminals

RJ45 terminal, Backup Power Supply terminal

#### Mounting

Magnetic backing

#### Warranty

3 years

### Connectivity

#### Wi-Fi

2.4 GHz 802.11b/g/n

#### Bluetooth

BLE 4.2

#### Nexus™ RF

### Operating conditions

#### Operating temperature

-25°C to +50°C

#### Ingress protection

IP30

#### Relative humidity

0 - 90%

#### Altitude

0-2000 m

#### Indoor use

Yes

### Regulations

#### EU Type Examination Certificate (Module B) Confirming Compliant with

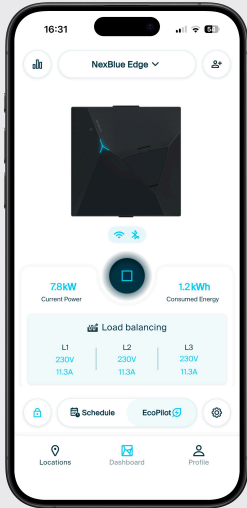
Article 3.1.a: Health and Safety

Article 3.1.b: EMC

Article 3.2: Effectively uses and efficient use of radio spectrum

## Build a Smart Charging Experience

Software Designed for Users



### myNexBlue App enables users to

Monitor and control your charging smartly

Seamless Local Control via Bluetooth

Schedule your charging in the most affordable and cleanest way

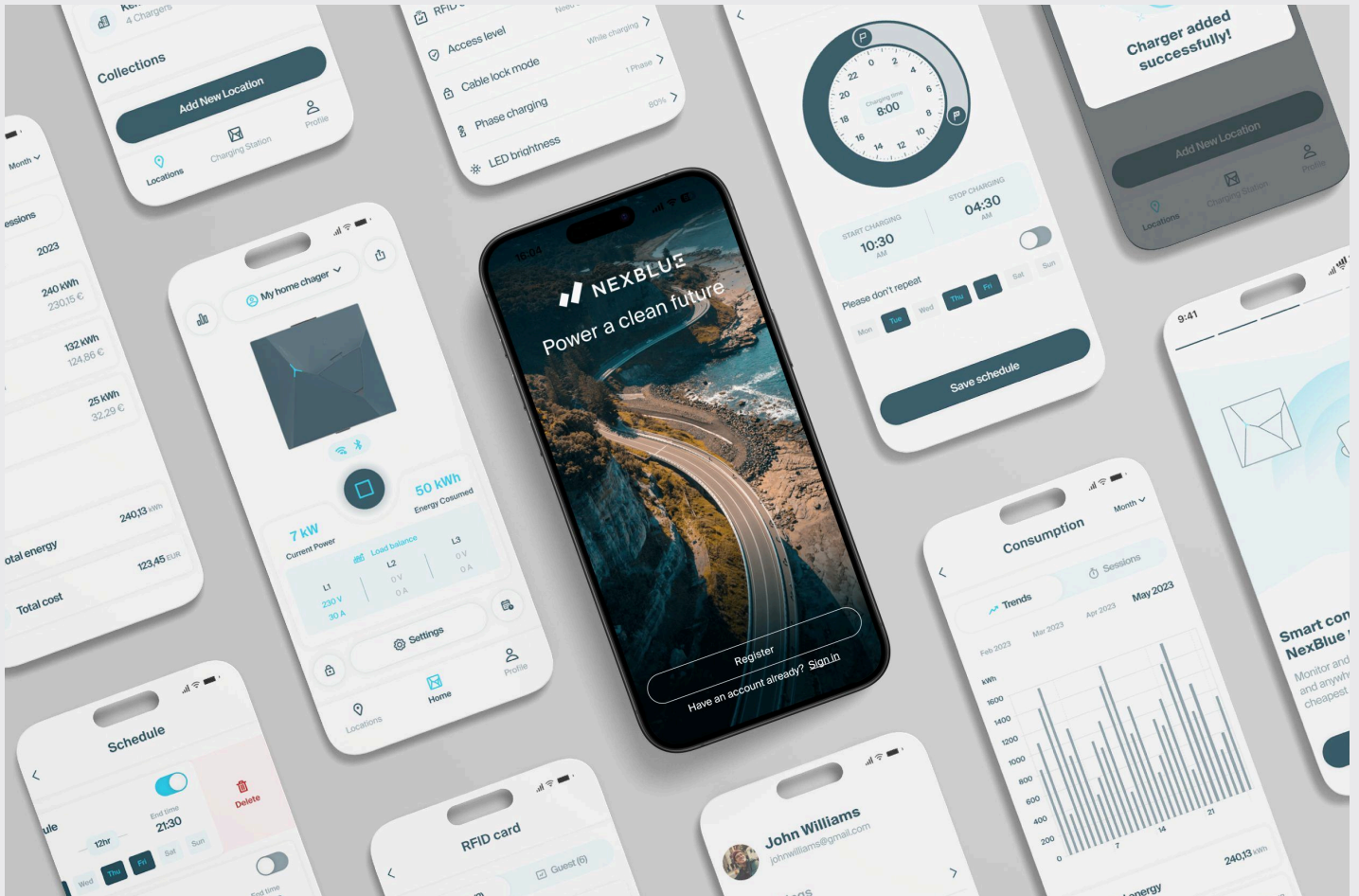
Track your charging statistics and history

Integrated with external service providers via local OCPP or our proprietary APIs

Share your chargers' access with your family and friends

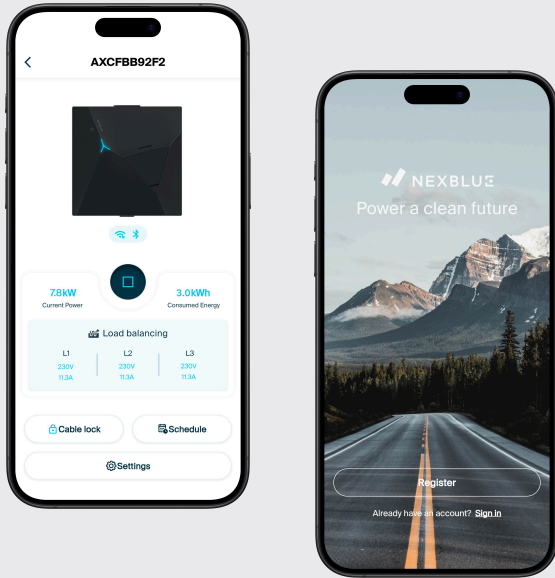
Multiple charging on/off options: Plug&Play, RFID, mobile NFC, and App control

Online diagnosis and OTA upgrades



## Build a Smart Installation Experience

Software Designed for Installers and Organizations



### NexBlue Partner App enables installers to

Create new installation locations or manage existing ones

Configure new chargers

Conduct post-configuration testing for the chargers

Facilitate the transfer of locations to new owners

Monitor real-time status for maintenance purposes

Change operators as the owners' preferences

### NexBlue Partner Portal enables installers and organizations to

Oversee and monitor installation locations

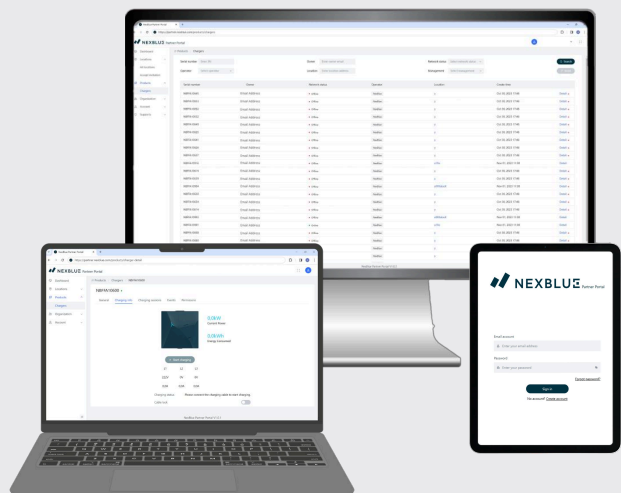
Provide real-time status monitoring and reconfiguration for installed chargers

Visualize and export charging session essential data for after-sales support

Facilitate pre-configurations prior to installations

View and export charging consumption data by user, charger or RFID card

Collaboratively manage all installations within Organization with members





**NEXBLUE**

**Sweden Office**

Birger Jarlsgatan 57 C  
113 56 Stockholm, Sweden

**Norway Office**

Grenseveien 21  
4313 Sandnes, Norway

**General Inquiry Email**

info@nexblue.com

**Website**

www.nexblue.com



LinkedIn  
@nexblue



Instagram  
@nexblue.official